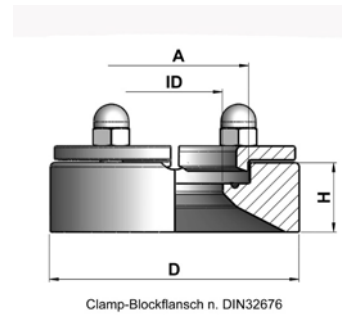


3.3 CLAMP BLOCK FLANGE ACCORDING DIN32676

TECHNICAL DATA

Standard sizes	<ul style="list-style-type: none"> • DIN DN10 - DIN DN150 • ISO DN08 - ISO DN150 • OD 1/2" - 6"
Material	<p>Medium contacted:</p> <ul style="list-style-type: none"> • Ws. 1.4404 (316L) • Ws. 14435 BN2 (316L) • Special materials e.g. 1.4539, Hastelloy 2.4602, Titan etc. on request <p>Non medium contacted:</p> <ul style="list-style-type: none"> • 1.4301/1.4305 or equivalent
Surface quality	<p>Medium contacted:</p> <ul style="list-style-type: none"> • machined surface Ra < 0,6µm • elektro polished Ra < 0,5µm • elektro polished Ra < 0,25µm • other qualities on request
Tracability	Medium contacted material marked with material number and heat number
Media	Gases and liquids
Operating temperature	-10°C to +150°C
Operating pressure	Kundenseitig bei der Behälterberechnung zu prüfen
Applicable standards	<p>Pipe dimensions:</p> <ul style="list-style-type: none"> • DIN (DIN11866 Reihe A) • ISO (DIN11866 Reihe B) • OD (DIN11866 Reihe C)
Labelling	Ferrule etc.: company name, item number, size,, material, heat number
Certification	<p>Medium contacted:</p> <ul style="list-style-type: none"> • EN 10204 / 3.1



3.3 CLAMP BLOCK FLANGE ACCORDING DIN32676

3.3.1 CLAMP BLOCK FLANGE ACCORDING DIN32676

Size	Item number	Pipe ID [mm]	Diam. A [mm]	Diam. D [mm]	Hight H [mm]						
DIN DN10	1501 1010 0000 0301	10.00	34.00	70.00	25 / 38 / 51						
DIN DN15	1501 1015 0000 0301	16.00	34.00	70.00	25 / 38 / 51						
DIN DN20	1501 1020 0000 0301	20.00	34.00	70.00	25 / 38 / 51						
DIN DN25	1501 1025 0000 0301	26.00	50.50	85.00	25 / 38 / 51						
DIN DN32	1501 1032 0000 0301	32.00	50.50	85.00	25 / 38 / 51						
DIN DN40	1501 1040 0000 0301	38.00	50.50	85.00	25 / 38 / 51						
DIN DN50	1501 1050 0000 0301	50.00	64.00	100.00	25 / 38 / 51						
DIN DN65	1501 1065 0000 0301	66.00	91.00	131.00	25 / 38 / 51						
DIN DN80	1501 1080 0000 0301	81.00	106.00	146.00	25 / 38 / 51						
DIN DN100	1501 1100 0000 0301	100.00	119.00	170.00	25 / 38 / 51						
DIN DN125	1501 1125 0000 0301	125.00	155.00	205.00	25 / 38 / 51						
DIN DN150	1501 1150 0000 0301	154.00	183.00	235.00	25 / 38 / 51						
ISO DN08	1501 2008 0000 0301	10.20	25.00	55.00	25 / 38 / 51						
ISO DN10	1501 2010 0000 0301	14.00	25.00	55.00	25 / 38 / 51						
ISO DN15	1501 2015 0000 0301	18.10	50.50	85.00	25 / 38 / 51						
ISO DN20	1501 2020 0000 0301	23.70	50.50	85.00	25 / 38 / 51						
ISO DN25	1501 2025 0000 0301	29.70	50.50	85.00	25 / 38 / 51						
ISO DN32	1501 2032 0000 0301	38.40	64.00	100.00	25 / 38 / 51						
ISO DN40	1501 2040 0000 0301	44.30	64.00	100.00	25 / 38 / 51						
ISO DN50	1501 2050 0000 0301	56.30	77.50	112.00	25 / 38 / 51						
ISO DN65	1501 2065 0000 0301	71.50	91.00	131.00	25 / 38 / 51						
ISO DN80	1501 2080 0000 0301	84.30	106.00	146.00	25 / 38 / 51						
ISO DN100	1501 2100 0000 0301	109.70	130.00	170.00	25 / 38 / 51						
ISO DN125	1501 2125 0000 0301	134.50	155.00	205.00	25 / 38 / 51						
ISO DN150	1501 2150 0000 0301	163.10	183.00	235.00	25 / 38 / 51						
OD 1/2"	1501 3005 0000 0301	9.40	25.00	55.00	25 / 38 / 51						
OD 3/4"	1501 3007 0000 0301	15.70	25.00	55.00	25 / 38 / 51						
OD 1"	1501 3010 0000 0301	22.10	50.50	85.00	25 / 38 / 51						
OD 1 1/2"	1501 3015 0000 0301	34.80	50.50	85.00	25 / 38 / 51						
OD 2"	1501 3020 0000 0301	47.50	64.00	100.00	25 / 38 / 51						
OD 2 1/2"	1501 3025 0000 0301	60.20	77.50	112.00	25 / 38 / 51						
OD 3"	1501 3030 0000 0301	72.90	91.00	131.00	25 / 38 / 51						
OD 4"	1501 3040 0000 0301	97.40	119.00	170.00	25 / 38 / 51						
OD 6"	1501 3060 0000 0301	146.86	167.00	215.00	25 / 38 / 51						

Available heights:

(Item-no. = 3. Block figure 1-4)

Item-No.	Height
0000	25mm
3800	38mm
5100	51mm

Available materials:

(Item-no. = 4. Block figure 1-3)

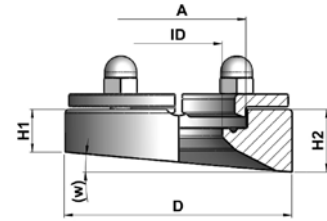
Item-No.	Material
030	1.4435 BN2
045	1.4539
060	2.4602 Hastelloy
070	Titan Grade 2

Available surface qualities:

(Item-No. = 4. Block figure 4)

Item-No.	Medium contacted surface
0	machined surface Ra<=0,6µm
1	electro polished Ra<=0,5µm
2	electro polished Ra<=0,25µm

Note: Actual data to collect at www.elpotech.de. Specifications and design are subject to change without notice. Date of revision: 05/2018



Clamp-Blockflansch n. DIN32676
schräg gefräst

3.3 CLAMP BLOCK FLANGE ACCORDING DIN32676

3.3.2 CLAMP BLOCK FLANGE ANGULAR ACCORDING DIN32676

Size	Item number	Pipe ID [mm]	Diam. A [mm]	Diam. D [mm]	Hight H1 [mm]	Hight H2 [mm]	Angle W [°]				
DIN DN10	1502 1010 0000 0301	10.00	34.00	70.00	*	25 / 38 / 51	*				
DIN DN15	1502 1015 0000 0301	16.00	34.00	70.00	*	25 / 38 / 51	*				
DIN DN20	1502 1020 0000 0301	20.00	34.00	70.00	*	25 / 38 / 51	*				
DIN DN25	1502 1025 0000 0301	26.00	50.50	85.00	*	25 / 38 / 51	*				
DIN DN32	1502 1032 0000 0301	32.00	50.50	85.00	*	25 / 38 / 51	*				
DIN DN40	1502 1040 0000 0301	38.00	50.50	85.00	*	25 / 38 / 51	*				
DIN DN50	1502 1050 0000 0301	50.00	64.00	100.00	*	25 / 38 / 51	*				
DIN DN65	1502 1065 0000 0301	66.00	91.00	131.00	*	25 / 38 / 51	*				
DIN DN80	1502 1080 0000 0301	81.00	106.00	146.00	*	25 / 38 / 51	*				
DIN DN100	1502 1100 0000 0301	100.00	119.00	170.00	*	25 / 38 / 51	*				
DIN DN125	1502 1125 0000 0301	125.00	155.00	205.00	*	25 / 38 / 51	*				
DIN DN150	1502 1150 0000 0301	154.00	183.00	235.00	*	25 / 38 / 51	*				
ISO DN08	1502 2008 0000 0301	10.20	25.00	55.00	*	25 / 38 / 51	*				
ISO DN10	1502 2010 0000 0301	14.00	25.00	55.00	*	25 / 38 / 51	*				
ISO DN15	1502 2015 0000 0301	18.10	50.50	85.00	*	25 / 38 / 51	*				
ISO DN20	1502 2020 0000 0301	23.70	50.50	85.00	*	25 / 38 / 51	*				
ISO DN25	1502 2025 0000 0301	29.70	50.50	85.00	*	25 / 38 / 51	*				
ISO DN32	1502 2032 0000 0301	38.40	64.00	100.00	*	25 / 38 / 51	*				
ISO DN40	1502 2040 0000 0301	44.30	64.00	100.00	*	25 / 38 / 51	*				
ISO DN50	1502 2050 0000 0301	56.30	77.50	112.00	*	25 / 38 / 51	*				
ISO DN65	1502 2065 0000 0301	71.50	91.00	131.00	*	25 / 38 / 51	*				
ISO DN80	1502 2080 0000 0301	84.30	106.00	146.00	*	25 / 38 / 51	*				
ISO DN100	1502 2100 0000 0301	109.70	130.00	170.00	*	25 / 38 / 51	*				
ISO DN125	1502 2125 0000 0301	134.50	155.00	205.00	*	25 / 38 / 51	*				
ISO DN150	1502 2150 0000 0301	163.10	183.00	235.00	*	25 / 38 / 51	*				
OD 1/2"	1502 3005 0000 0301	9.40	25.00	55.00	*	25 / 38 / 51	*				
OD 3/4"	1502 3007 0000 0301	15.70	25.00	55.00	*	25 / 38 / 51	*				
OD 1"	1502 3010 0000 0301	22.10	50.50	85.00	*	25 / 38 / 51	*				
OD 1 1/2"	1502 3015 0000 0301	34.80	50.50	85.00	*	25 / 38 / 51	*				
OD 2"	1502 3020 0000 0301	47.50	64.00	100.00	*	25 / 38 / 51	*				
OD 2 1/2"	1502 3025 0000 0301	60.20	77.50	112.00	*	25 / 38 / 51	*				
OD 3"	1502 3030 0000 0301	72.90	91.00	131.00	*	25 / 38 / 51	*				
OD 4"	1502 3040 0000 0301	97.40	119.00	170.00	*	25 / 38 / 51	*				
OD 6"	1502 3060 0000 0301	146.86	167.00	215.00	*	25 / 38 / 51	*				

*=gewünschtes Maß bitte angeben

Available heights:

(Item-no. = 3. Block figure 1-4)

Item-No.	Hight
0000	25mm
3800	38mm
5100	51mm

Available materials:

(Item-no. = 4. Block figure 1-3)

Item-No.	Material
030	1.4435 BN2
045	1.4539
060	2.4602 Hastelloy
070	Titan Grade 2

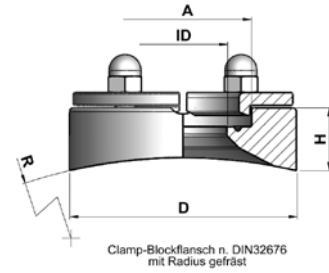
Available surface qualities:

(Item-No. = 4. Block figure 4)

Item-No.	Medium contacted surface
0	machined surface Ra<=0,6µm
1	electro polished Ra<=0,5µm
2	electro polished Ra<=0,25µm

Note: Actual data to collect at www.elpotech.de. Specifications and design are subject to change without notice. Date of revision: 05/2018

elpotech GmbH & Co. KG | Max-Eyth-Straße 1 | D-71691 Freiberg a.N. | Tel. +49 (0) 7141-68 87 49 0 | Fax +49 (0) 7141-68 87 49 44 | info@elpotech.de | www.elpotech.de



3.3 CLAMP BLOCKFLANGE ACCORDING DIN32676

3.3.3 CLAMP BLOCK FLANGE WITH RADIUS ACCORDING DIN32676

Size	Item number	Pipe ID [mm]	Diam. A [mm]	Diam. D [mm]	Radius [mm]	Height H [mm]					
DIN DN10	1503 1010 0000 0301	10.00	34.00	70.00	*	25 / 38 / 51					
DIN DN15	1503 1015 0000 0301	16.00	34.00	70.00	*	25 / 38 / 51					
DIN DN20	1503 1020 0000 0301	20.00	34.00	70.00	*	25 / 38 / 51					
DIN DN25	1503 1025 0000 0301	26.00	50.50	85.00	*	25 / 38 / 51					
DIN DN32	1503 1032 0000 0301	32.00	50.50	85.00	*	25 / 38 / 51					
DIN DN40	1503 1040 0000 0301	38.00	50.50	85.00	*	25 / 38 / 51					
DIN DN50	1503 1050 0000 0301	50.00	64.00	100.00	*	25 / 38 / 51					
DIN DN65	1503 1065 0000 0301	66.00	91.00	131.00	*	25 / 38 / 51					
DIN DN80	1503 1080 0000 0301	81.00	106.00	146.00	*	25 / 38 / 51					
DIN DN100	1503 1100 0000 0301	100.00	119.00	170.00	*	25 / 38 / 51					
DIN DN125	1503 1125 0000 0301	125.00	155.00	205.00	*	25 / 38 / 51					
DIN DN150	1503 1150 0000 0301	154.00	183.00	235.00	*	25 / 38 / 51					
ISO DN08	1503 2008 0000 0301	10.20	25.00	55.00	*	25 / 38 / 51					
ISO DN10	1503 2010 0000 0301	14.00	25.00	55.00	*	25 / 38 / 51					
ISO DN15	1503 2015 0000 0301	18.10	50.50	85.00	*	25 / 38 / 51					
ISO DN20	1503 2020 0000 0301	23.70	50.50	85.00	*	25 / 38 / 51					
ISO DN25	1503 2025 0000 0301	29.70	50.50	85.00	*	25 / 38 / 51					
ISO DN32	1503 2032 0000 0301	38.40	64.00	100.00	*	25 / 38 / 51					
ISO DN40	1503 2040 0000 0301	44.30	64.00	100.00	*	25 / 38 / 51					
ISO DN50	1503 2050 0000 0301	56.30	77.50	112.00	*	25 / 38 / 51					
ISO DN65	1503 2065 0000 0301	71.50	91.00	131.00	*	25 / 38 / 51					
ISO DN80	1503 2080 0000 0301	84.30	106.00	146.00	*	25 / 38 / 51					
ISO DN100	1503 2100 0000 0301	109.70	130.00	170.00	*	25 / 38 / 51					
ISO DN125	1503 2125 0000 0301	134.50	155.00	205.00	*	25 / 38 / 51					
ISO DN150	1503 2150 0000 0301	163.10	183.00	235.00	*	25 / 38 / 51					
OD 1/2"	1503 3005 0000 0301	9.40	25.00	55.00	*	25 / 38 / 51					
OD 3/4"	1503 3007 0000 0301	15.70	25.00	55.00	*	25 / 38 / 51					
OD 1"	1503 3010 0000 0301	22.10	50.50	85.00	*	25 / 38 / 51					
OD 1 1/2"	1503 3015 0000 0301	34.80	50.50	85.00	*	25 / 38 / 51					
OD 2"	1503 3020 0000 0301	47.50	64.00	100.00	*	25 / 38 / 51					
OD 2 1/2"	1503 3025 0000 0301	60.20	77.50	112.00	*	25 / 38 / 51					
OD 3"	1503 3030 0000 0301	72.90	91.00	131.00	*	25 / 38 / 51					
OD 4"	1503 3040 0000 0301	97.40	119.00	170.00	*	25 / 38 / 51					
OD 6"	1503 3060 0000 0301	146.86	167.00	215.00	*	25 / 38 / 51					

*=gewünschtes Maß bitte angeben

Available heights:

(Item-no. = 3. Block figure 1-4)

Item-No.	Height
0000	25mm
3800	38mm
5100	51mm

Available materials:

(Item-no. = 4. Block figure 1-3)

Item-No.	Material
030	1.4435 BN2
045	1.4539
060	2.4602 Hastelloy
070	Titan Grade 2

Available surface qualities:

(Item-No. = 4. Block figure 4)

Item-No.	Medium contacted surface
0	machined surface Ra<=0,6µm
1	electro polished Ra<=0,5µm
2	electro polished Ra<=0,25µm

Note: Actual data to collect at www.elpotech.de. Specifications and design are subject to change without notice. Date of revision: 05/2018

elpotech GmbH & Co. KG | Max-Eyth-Straße 1 | D-71691 Freiberg a.N. | Tel. +49 (0) 7141-68 87 49 0 | Fax +49 (0) 7141-68 87 49 44 | info@elpotech.de | www.elpotech.de